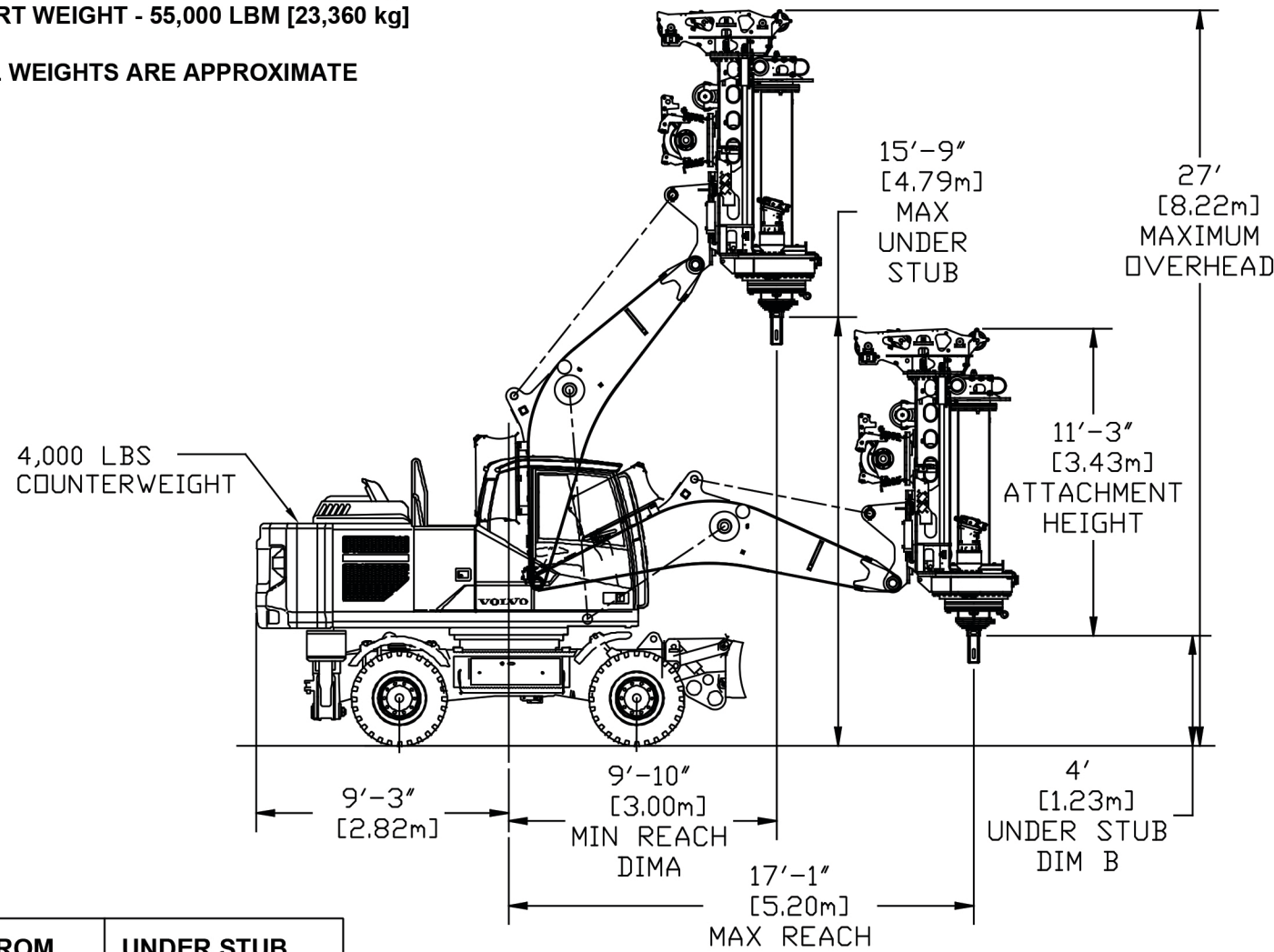


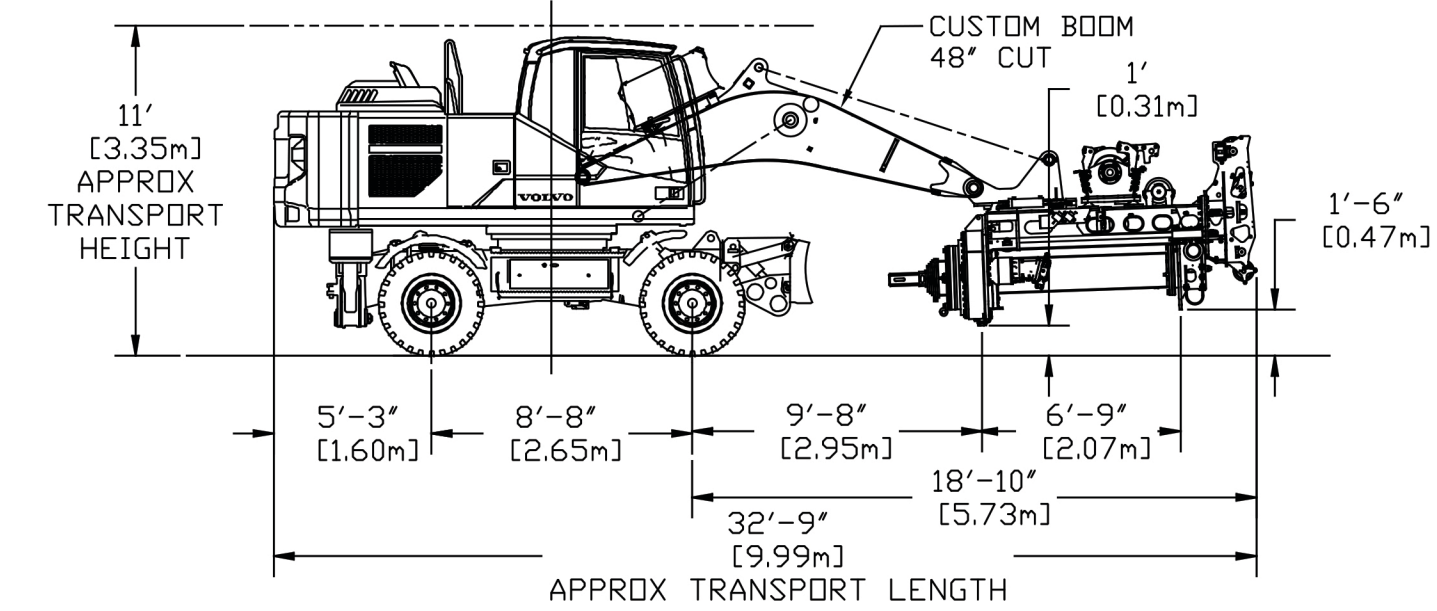
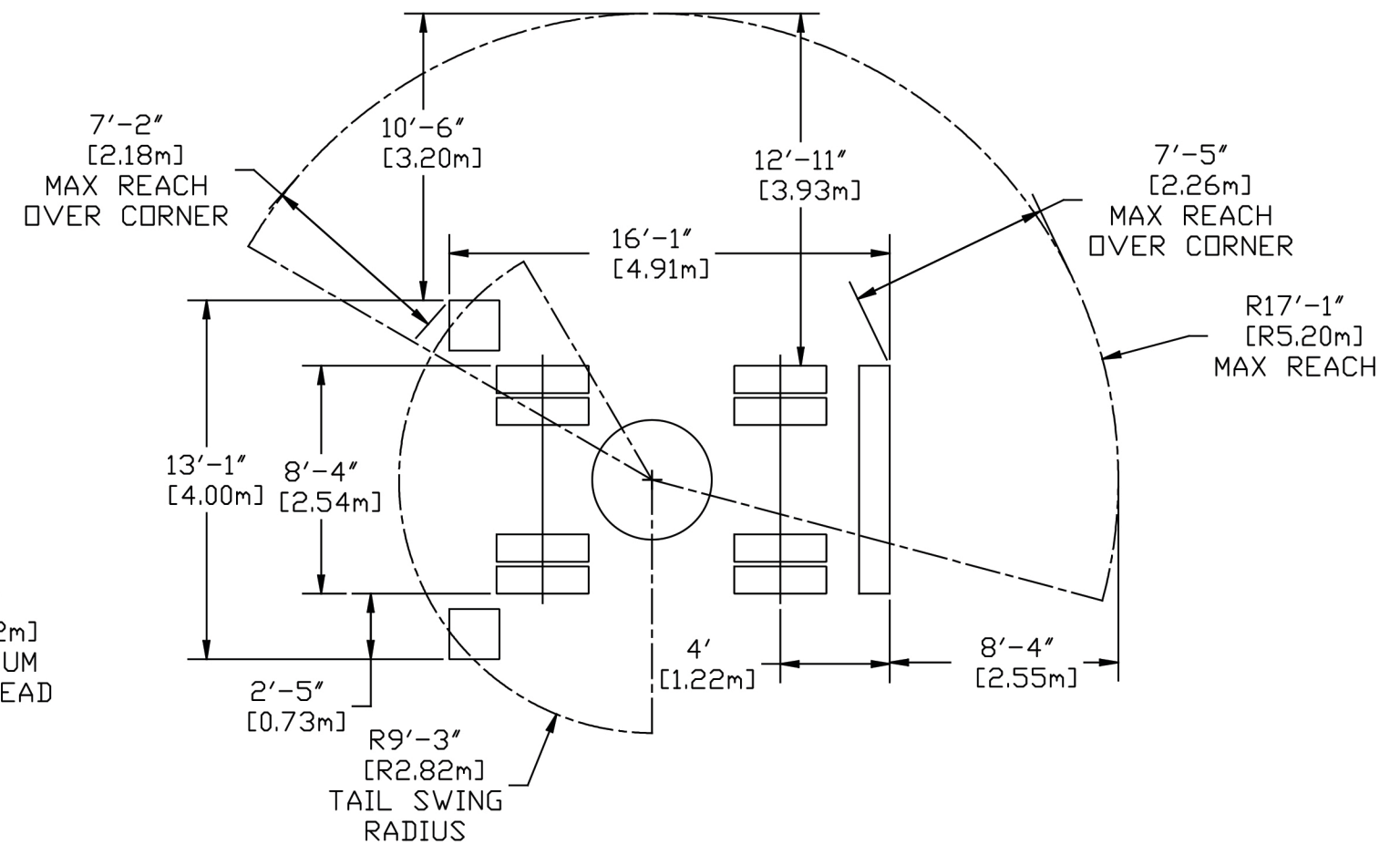
SPECIFICATIONS:

- TORQUE - 25,000 FT-LBF [33.9 kNm]
- DRILLING DEPTH - 43 FT [13.1 m]
- BASE MACHINE - VOLVO EW180E
- DRILL SPEED - 0 TO 60 RPM
- SPIN OFF - 100 RPM
- CROWD STROKE - 60 IN [1.5 m]
- CROWD FORCE - 24,500 LBF [109 kN] (HYDRAULIC)
- KELLY WINCH - 18,000 LBF [80 kN]
(FIRST LAYER)
- SERVICE WINCH - 4,500 LBF [20 kN]
(FIRST LAYER, OPTIONAL)
- SIDE TILT - 14 DEG. LEFT/RIGHT
- KELLY BARSET - 7 ELEMENT SQUARE, 3,200 LBM [1,450 kg]
4.25" SOLID INNER BAR
- ATTACHMENT WEIGHT - 6,600 LBM [3,000 kg]
- TRANSPORT WEIGHT - 55,000 LBM [23,360 kg]

*ALL WEIGHTS ARE APPROXIMATE



RADIUS FROM CENTER (FT-IN) [DIM A]	UNDER STUB HEIGHT (FT-IN) [DIM B]
9'-10" [3.00 M]	15'-9" [4.79 M]
12'-0" [3.66 M]	14'-4" [4.37 M]
14'-0" [4.27 M]	12'-5" [3.78 M]
17'-1" [5.20 M]	4'-0" [1.23 M]



TR25 WHEELED EXCAVATOR

