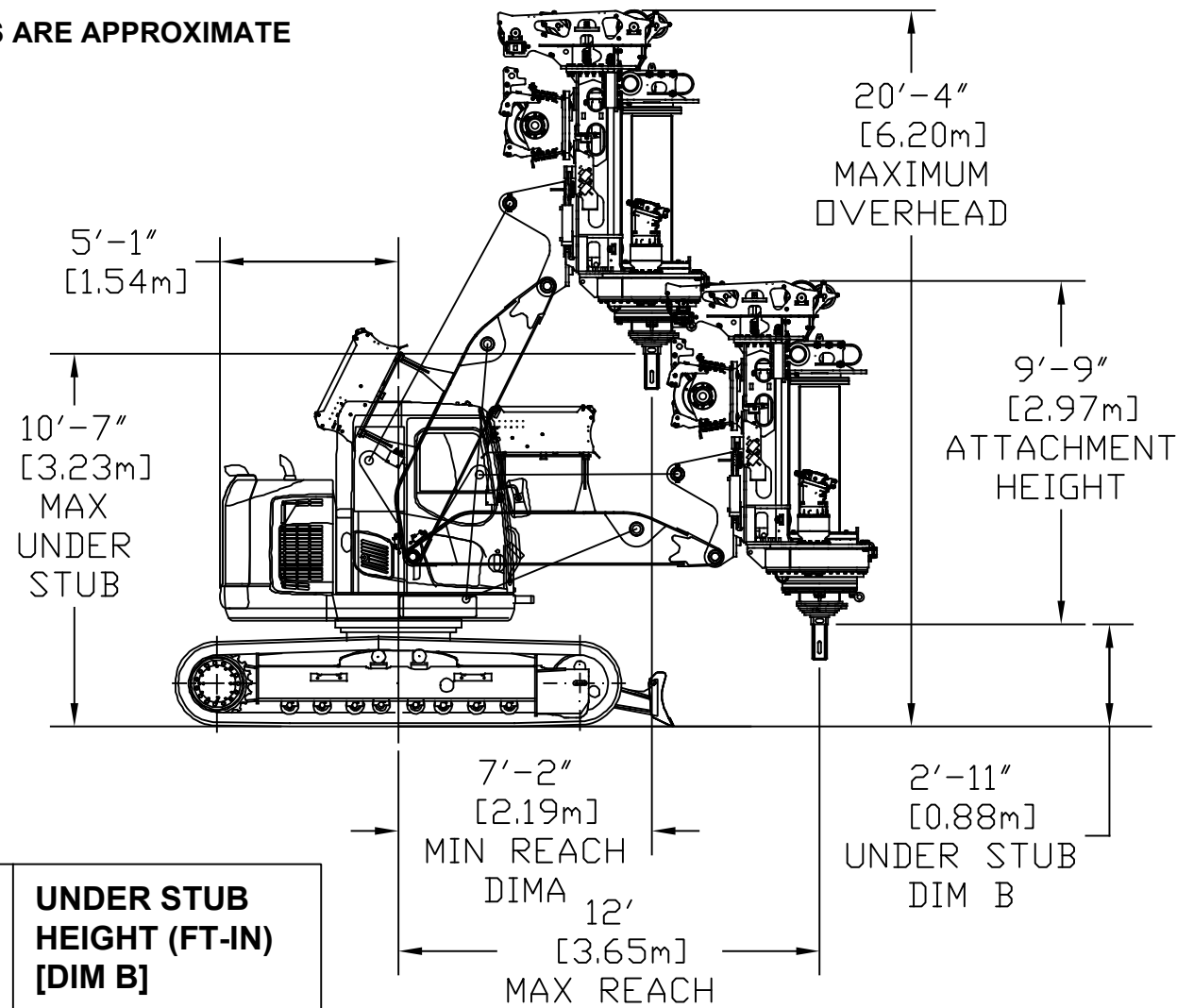


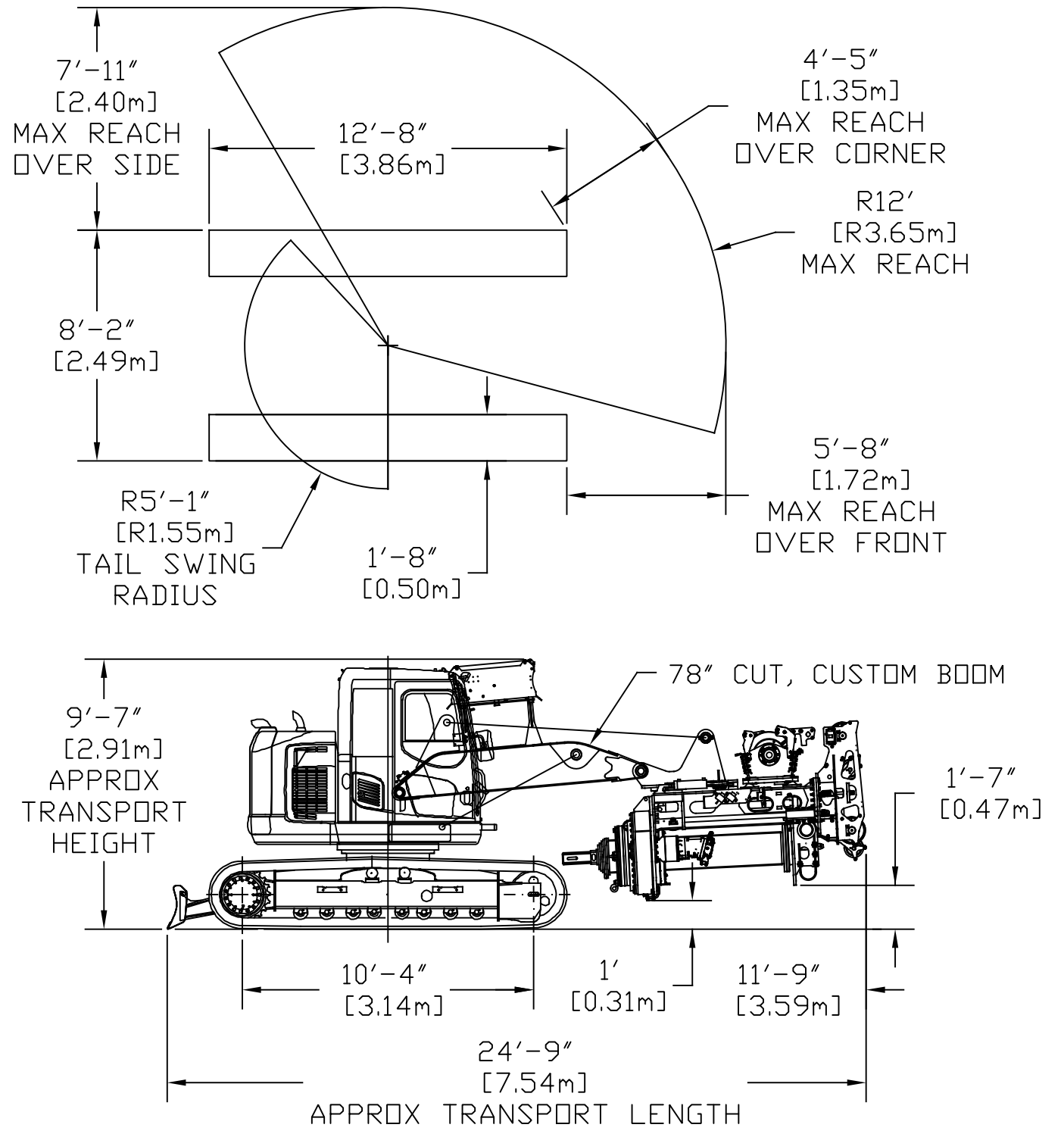
SPECIFICATIONS:

TORQUE - 25,000 FT-LBF [33.9 kNm]
 DRILLING DEPTH - 32 FT [9.8 m]
 BASE MACHINE - KOMATSU PC 138 USLC-11
 DRILL SPEED - 0 TO 60 RPM
 SPIN OFF - 100 RPM
 CROWD STROKE - 42 IN [1.0 m]
 CROWD FORCE - 24,500 LBF [109 kN] (HYDRAULIC)
 KELLY WINCH - 15,000 LBF [67 kN], (FIRST LAYER)
 SERVICE WINCH - NONE
 SIDE TILT - 14 DEG. LEFT/RIGHT
 KELLY BARSET - 7 ELEMENT SQUARE, 4.25" SOLID INNER
 BAR SET WEIGHT - 2,700 LBM [1,225 kg]
 ATTACHMENT WEIGHT - 6,200 LBM [2,810 kg]
 TRANSPORT WEIGHT - 45,500 LBM [20,650 kg]

*ALL WEIGHTS ARE APPROXIMATE



RADIUS FROM CENTER (FT-IN) [DIM A]	UNDER STUB HEIGHT (FT-IN) [DIM B]
7'-2" [2.19 m]	10'-7" [3.23 m]
10' [3.05 m]	8'-4" [2.55 m]
12' [3.65 m]	2'-11" [0.88 m]



MODEL: TR25
 JOB: N/A
 RIG SN: N/A
 HEAT TREAT: N/A

ITEM	QTY	MATERIAL/PART NUMBER
Parts List		
Bay Shore Systems INCORPORATED		
TITLE TR25-32 ON KOMATSU PC138 USLC-11 7 ELEMENT, SQUARE BARSET		REV -
SIZE D	DWG NO Q-000285	
SCALE NTS	SHEET 1	OF 1

SPECIFICATIONS UNLESS OTHERWISE NOTED:
 1. ALL DIMENSIONS ARE IN INCHES UNLESS OTHERWISE NOTED.
 2. REMOVE ALL SHARP EDGES AND BURRS.
 3. TOLERANCE:
 .XX ±0.01
 .XXX ±0.005
 FRACTIONS ±1/16
 ANGLES 0.5 DEG
 125 MICRONS
 REF. DWG: NONE

DRAWN AWYLAND
 DATE 10/05/2022
 All information on this drawing is proprietary and confidential and must not be copied or disclosed without written authorization from Bay Shore Systems Inc. This document must be returned to Bay Shore Systems immediately upon request.

REVISION HISTORY			
REV	DESCRIPTION	DATE	APRVD