

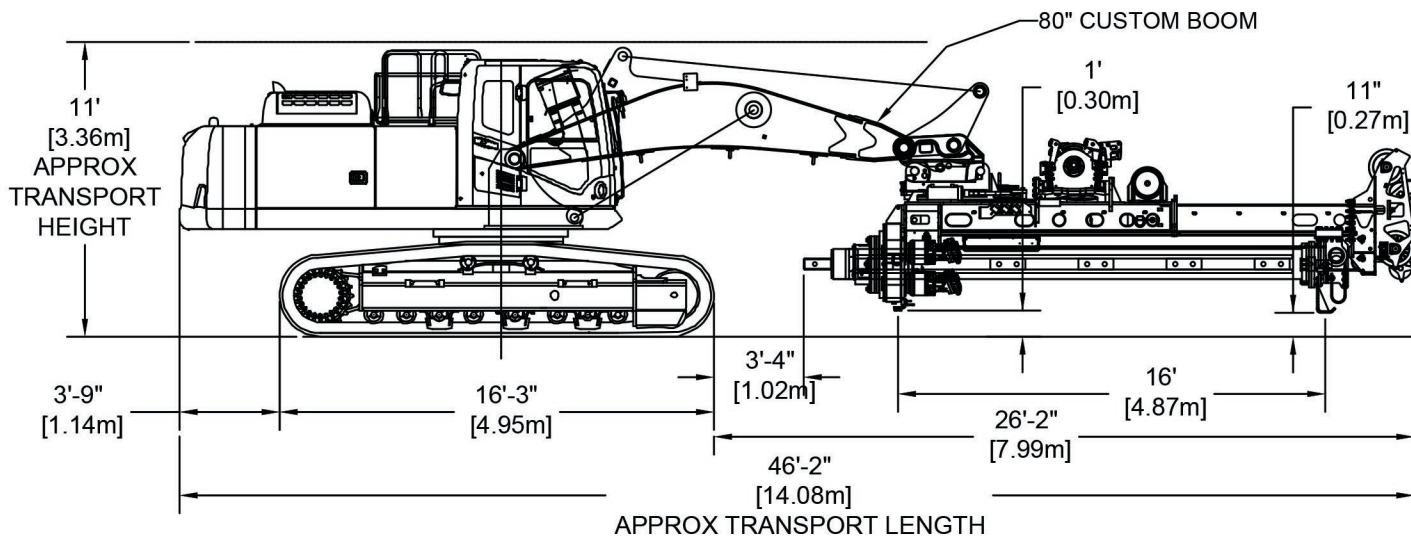
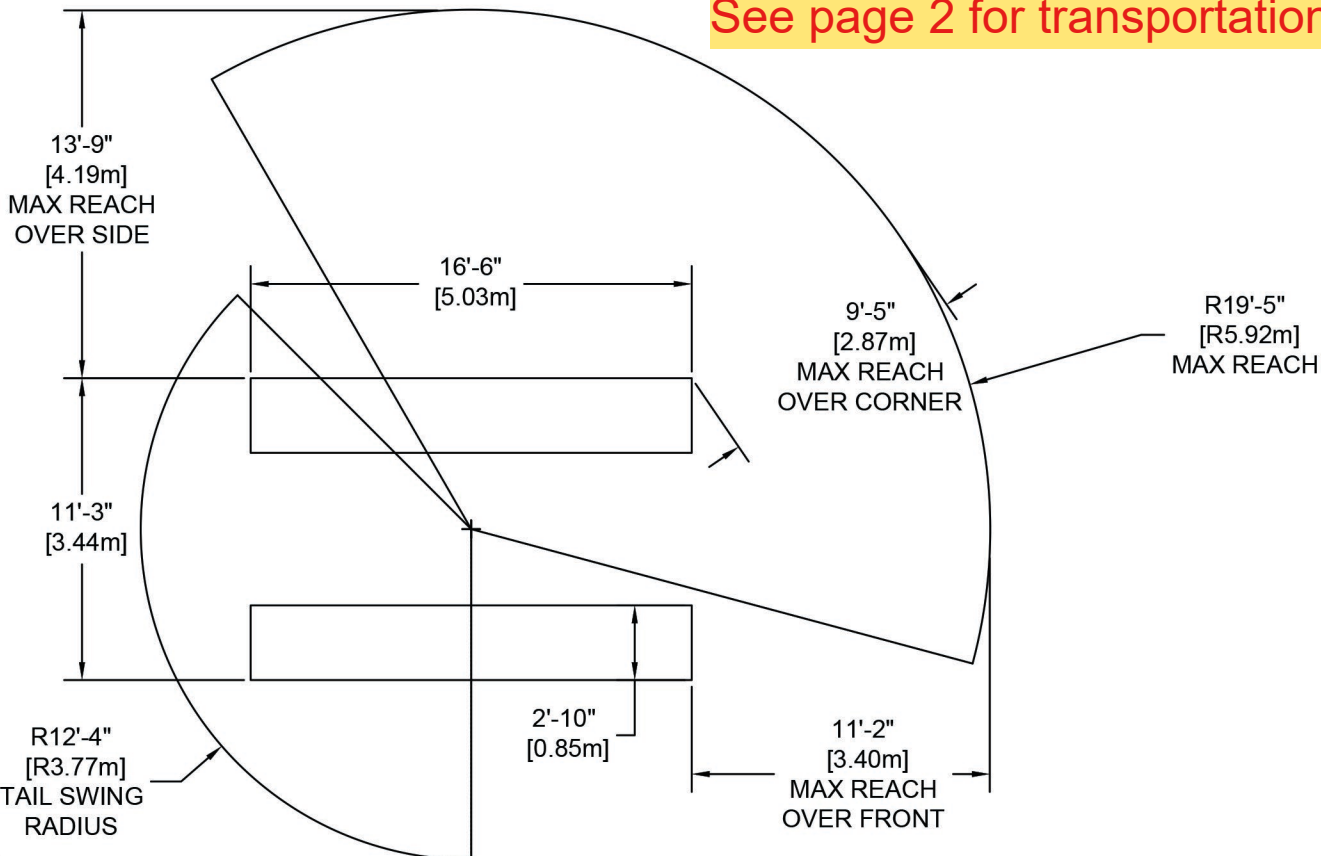
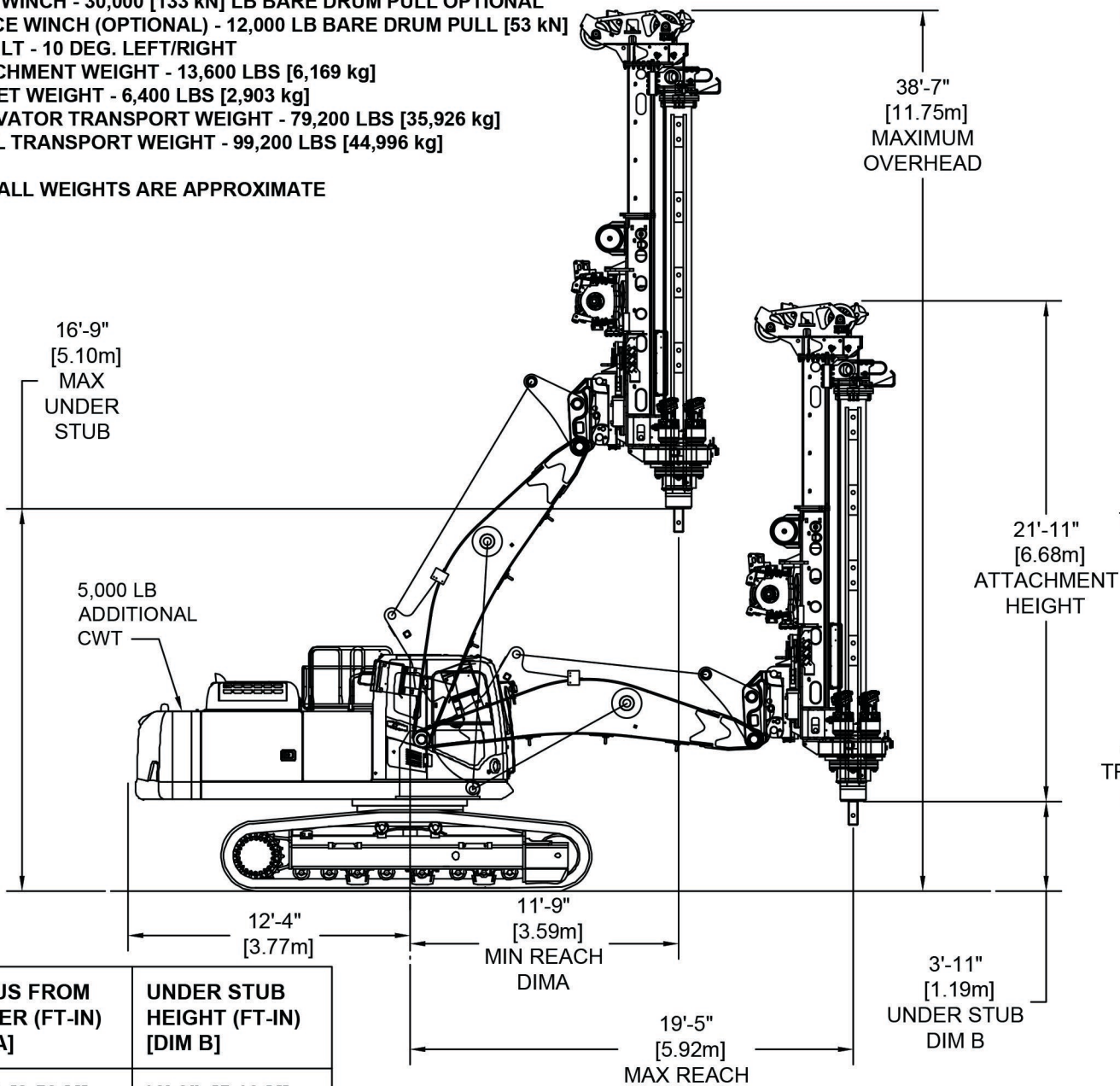
SPECIFICATIONS:

- TORQUE - 98,000 FT-LBS [133 kNm]
- DRILLING DEPTH - 53 FT [16.15 m] 4 ELEMENT ROUND
- BASE MACHINE - KOMATSU PC360LC-11
- DRILL SPEED - 0 TO 60 RPM
- SPIN OFF - 80 RPM
- CROWD STROKE - 168" [4.27 m]
- CROWD FORCE - 35,000 LBS [155 kN]
- KELLY WINCH - 30,000 [133 kN] LB BARE DRUM PULL OPTIONAL
- SERVICE WINCH (OPTIONAL) - 12,000 LB BARE DRUM PULL [53 kN]
- SIDE TILT - 10 DEG. LEFT/RIGHT
- *ATTACHMENT WEIGHT - 13,600 LBS [6,169 kg]
- *BARSET WEIGHT - 6,400 LBS [2,903 kg]
- *EXCAVATOR TRANSPORT WEIGHT - 79,200 LBS [35,926 kg]
- *TOTAL TRANSPORT WEIGHT - 99,200 LBS [44,996 kg]

*ALL WEIGHTS ARE APPROXIMATE

REVISION HISTORY			
REV	DESCRIPTION	DATE	APRVD

See page 2 for transportation details



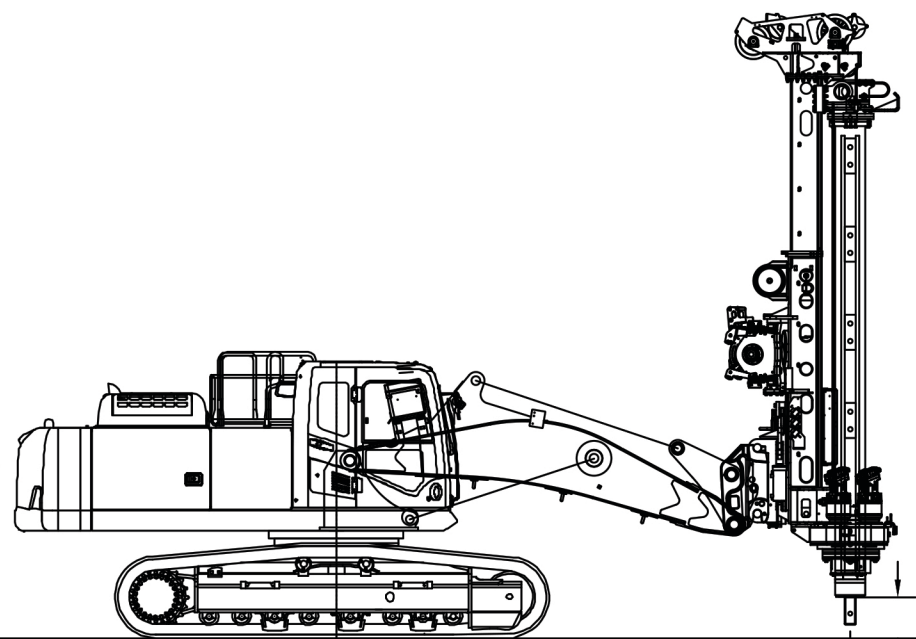
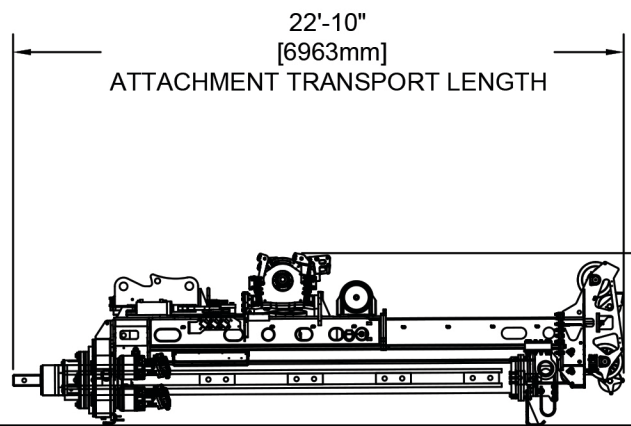
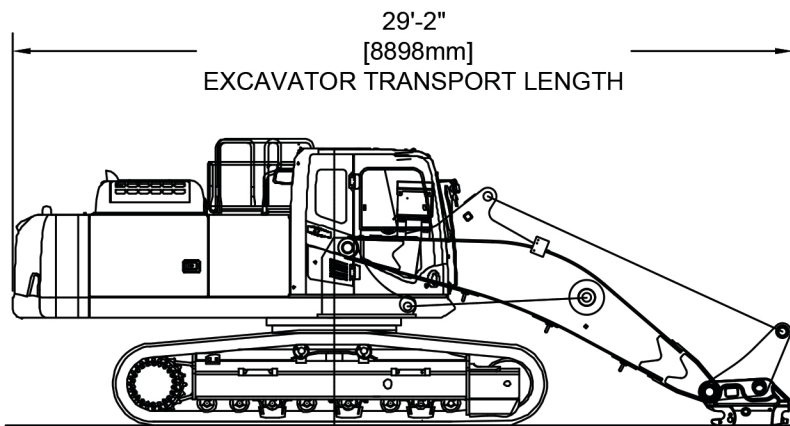
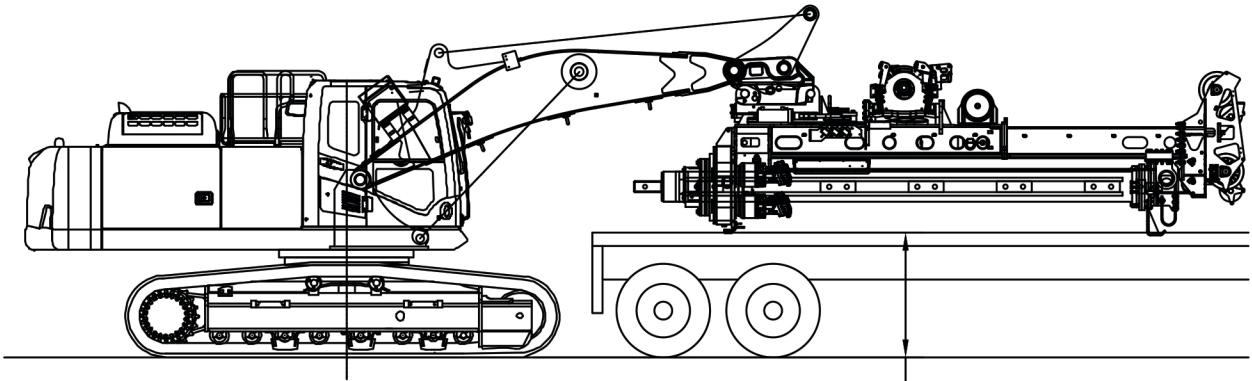
RADIUS FROM CENTER (FT-IN) [DIM A]	UNDER STUB HEIGHT (FT-IN) [DIM B]
11'-9" [3.59 M]	16'-9" [5.10 M]
14'-0" [4.27 M]	15'-3" [4.66 M]
16'-0" [4.88 M]	13'-4" [4.05 M]
18'-0" [5.49 M]	10'-2" [3.11 M]
19'-5" [5.92 M]	3'-11" [1.19 M]

TR95

QUICK DOCK



REVISION HISTORY			
REV	DESCRIPTION	DATE	APRVD



*EXCAVATOR TRANSPORT WEIGHT - 79,200 LBS [35,926 kg]

*COMPLETE ATTACHMENT TRANSPORT WEIGHT - 20,000 LBS [9,072 kg]

TR95 QUICK DOCK

