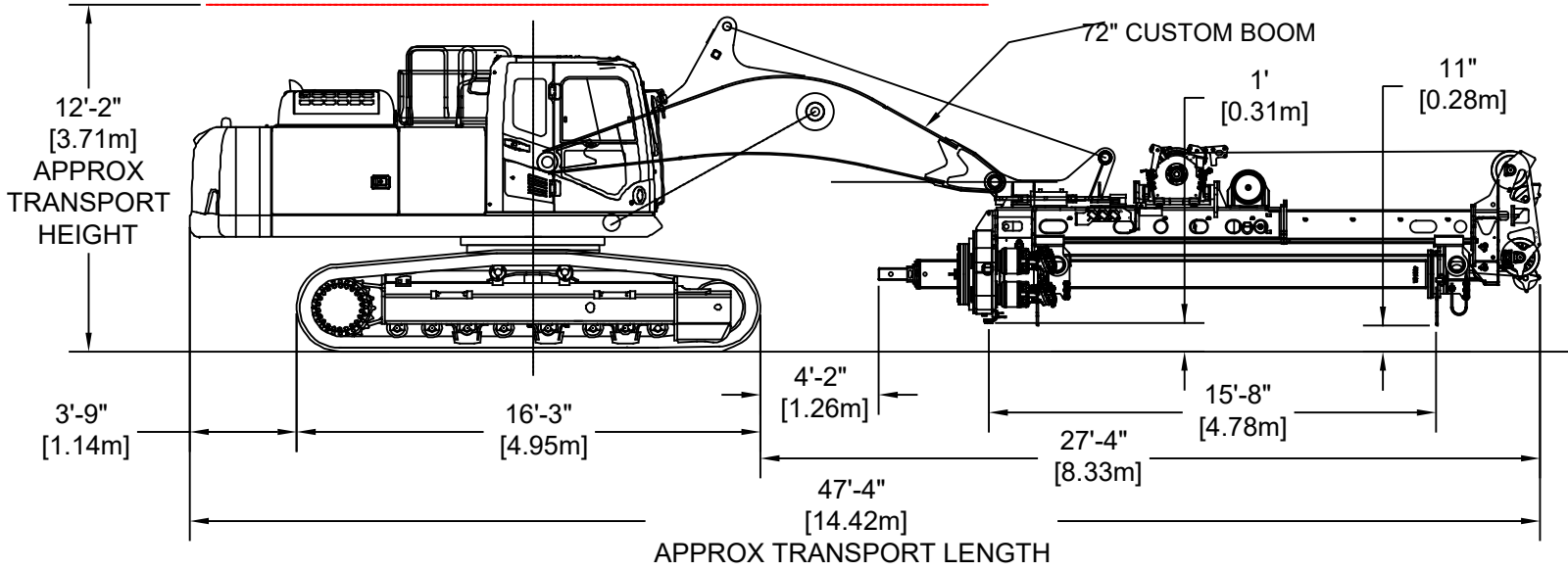
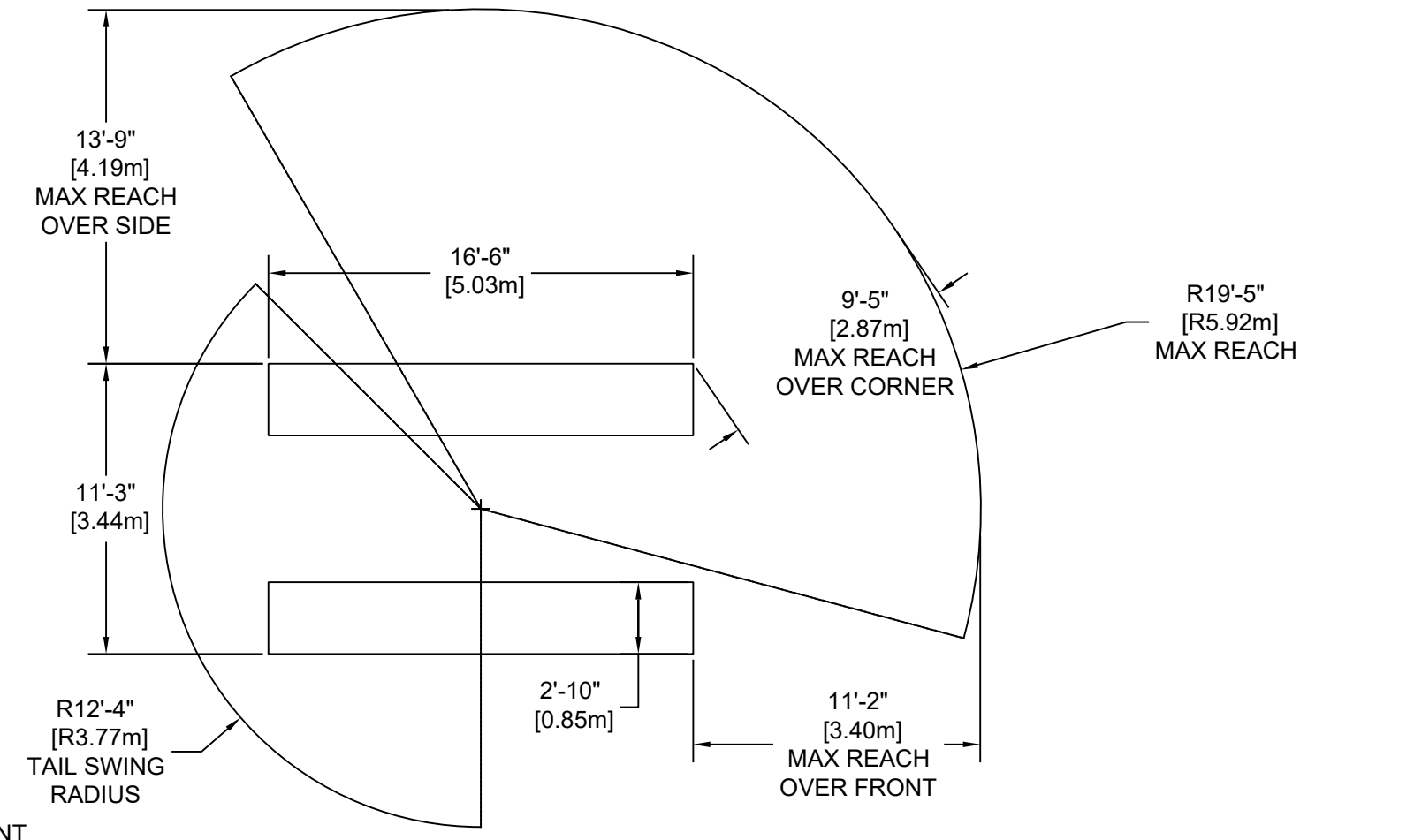
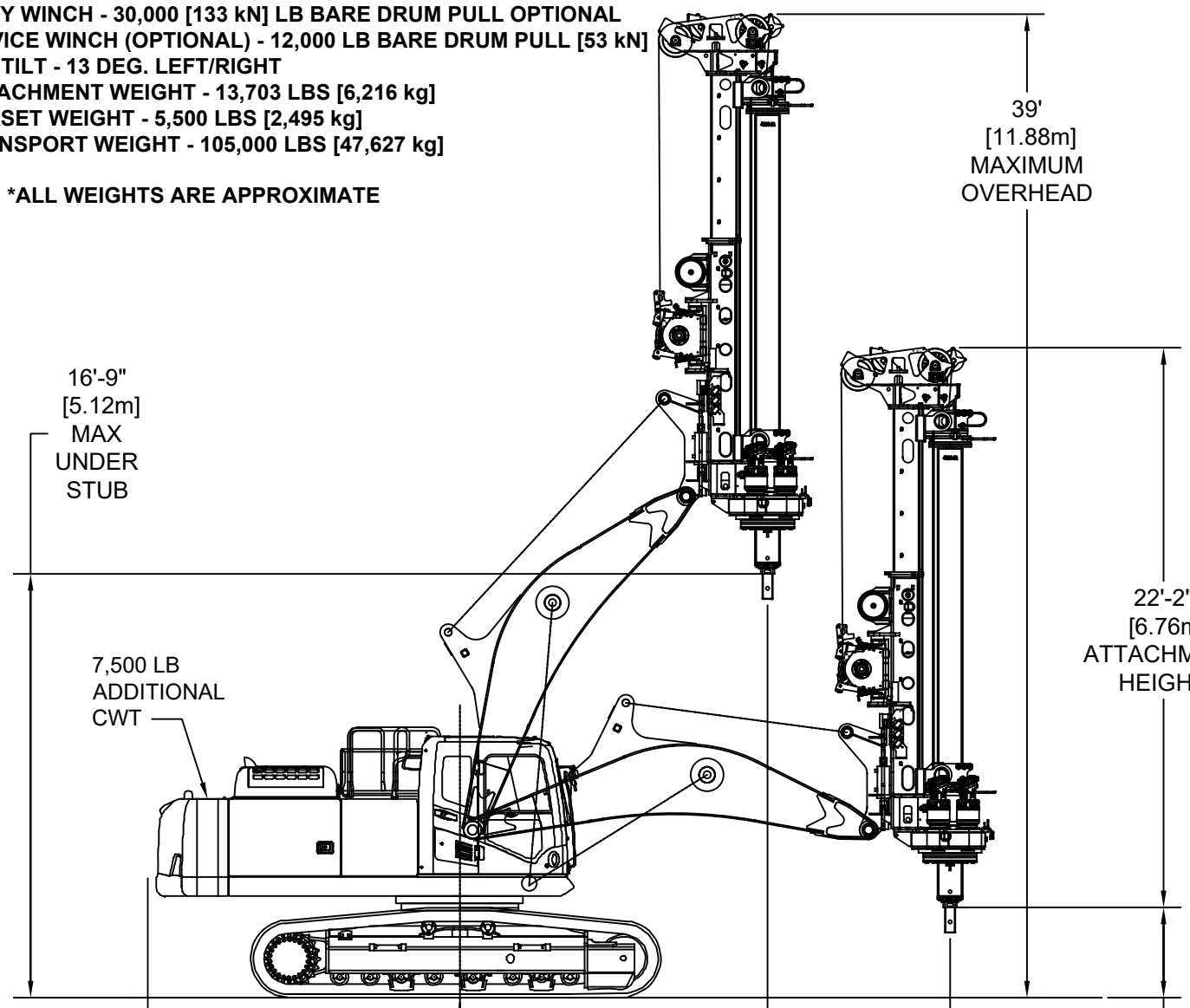


**SPECIFICATIONS:**

**TORQUE - 98,000 FT-LBS [133 kNm]**  
**DRILLING DEPTH - 60 FT [18.29 m] 4 ELEMENT SQUARE**  
**BASE MACHINE - KOMATSU PC360LC-11**  
**DRILL SPEED - 0 TO 60 RPM**  
**SPIN OFF - 100 RPM**  
**CROWD STROKE - 168" [4.27 m]**  
**CROWD FORCE - 35,000 LBS [155 kN]**  
**KELLY WINCH - 30,000 [133 kN] LB BARE DRUM PULL OPTIONAL**  
**SERVICE WINCH (OPTIONAL) - 12,000 LB BARE DRUM PULL [53 kN]**  
**SIDE TILT - 13 DEG. LEFT/RIGHT**  
**\*ATTACHMENT WEIGHT - 13,703 LBS [6,216 kg]**  
**\*BARSET WEIGHT - 5,500 LBS [2,495 kg]**  
**\*TRANSPORT WEIGHT - 105,000 LBS [47,627 kg]**

**\*ALL WEIGHTS ARE APPROXIMATE**

REVISION HISTORY			
REV	DESCRIPTION	DATE	APRVD



RADIUS FROM CENTER (FT-IN) [DIM A]	UNDER STUB HEIGHT (FT-IN) [DIM B]
12'-2" [3.72 M]	16'-9" [5.12 M]
14'-0" [4.27 M]	15'-3" [4.64 M]
16'-0" [4.88 M]	12'-10" [3.90 M]
18'-0" [5.49 M]	9'-2" [2.80 M]
19'-5" [5.92 M]	3'-7" [1.09 M]

COMPANY: \_\_\_\_\_  
 PRINTED NAME: \_\_\_\_\_  
 TITLE: \_\_\_\_\_  
 SIGNATURE: \_\_\_\_\_  
 DATE: \_\_\_\_\_

MODEL: TR95  
 JOB: N/A  
 RIG SN: N/A  
 HEAT TREAT: N/A

ITEM	QTY	MATERIAL/PART NUMBER
Parts List		
<b>Bay Shore Systems</b> INCORPORATED		
TITLE TR95-60 4 ELE SQUARE PC360LC-11, 72" CUSTOM BOOM		
SIZE	DWG NO	REV
D	Q-000286	-
SCALE	NTS	SHEET 1 OF 1

SPECIFICATIONS UNLESS OTHERWISE NOTED:  
 1. ALL DIMENSIONS ARE IN INCHES UNLESS OTHERWISE NOTED.  
 2. REMOVE ALL SHARP EDGES AND BURRS.  
 3. TOLERANCE:  
 .XXX ±0.01  
 X.XXX ±0.005  
 FRACTIONS ±1/16  
 ANGLES 0.5 DEG  
 125 MICRONS  
 REF. DWG: NONE

DRAWN JFITZ  
 DATE 12/16/2021  
 All information on this drawing is proprietary and confidential and must not be copied or disclosed without written authorization from Bay Shore Systems Inc. This document must be returned to Bay Shore Systems immediately upon request.